

LT001-IC7205

Doorbell

User Manual

Disclaimer

TO THE MAXIMUM EXTENT PERMITTED BY APPLICABLE LAW, THIS MANUAL AND THE PRODUCT DESCRIBED, WITH ITS HARDWARE, SOFTWARE AND FIRMWARE, ARE PROVIDED "AS IS" AND "WITH ALL FAULTS AND ERRORS". OUR COMPANY MAKES NO WARRANTIES, EXPRESS OR IMPLIED, INCLUDING WITHOUT LIMITATION, MERCHANTABILITY, SATISFACTORY QUALITY, OR FITNESS FOR A PARTICULAR PURPOSE. THE USE OF THE PRODUCT YOU AGREE TO USE THIS PRODUCT IN COMPLIANCE WITH ALL APPLICABLE LAWS, AND YOU ARE SOLELY RESPONSIBLE FOR ENSURING THAT YOUR USE CONFORMS TO THE APPLICABLE LAW. ESPECIALLY, YOU ARE RESPONSIBLE, FOR USING THIS PRODUCT IN A MANNER THAT DOES NOT INFRINGE ON THE RIGHTS OF THIRD PARTIES, INCLUDING WITHOUT LIMITATION, RIGHTS OF PUBLICITY, INTELLECTUAL PROPERTY RIGHTS, OR DATA PROTECTION AND OTHER PRIVACY RIGHTS. YOU SHALL NOT USE THIS PRODUCT FOR ANY PROHIBITED END-USES, INCLUDING THE DEVELOPMENT OR PRODUCTION OF WEAPONS OF MASS DESTRUCTION, THE DEVELOPMENT OR PRODUCTION OF CHEMICAL OR BIOLOGICAL WEAPONS, ANY ACTIVITIES IN THE CONTEXT RELATED TO ANY NUCLEAR EXPLOSIVE OR UNSAFE NUCLEAR FUEL-CYCLE, OR IN SUPPORT OF HUMAN RIGHTS ABUSES. IN THE EVENT OF ANY CONFLICTS BETWEEN THIS MANUAL AND THE APPLICABLE LAW, THE LATTER PREVAILS.

Content

Disclaimer	1
1 About This Manual	3
2 Appearance	3
3 Ail line And Interface Description	7
4 Installation Description	8
5 Pair Description	10

1 About This Manual

This manual is applicable to the use and operation instructions of the doorbell..

2 Appearance

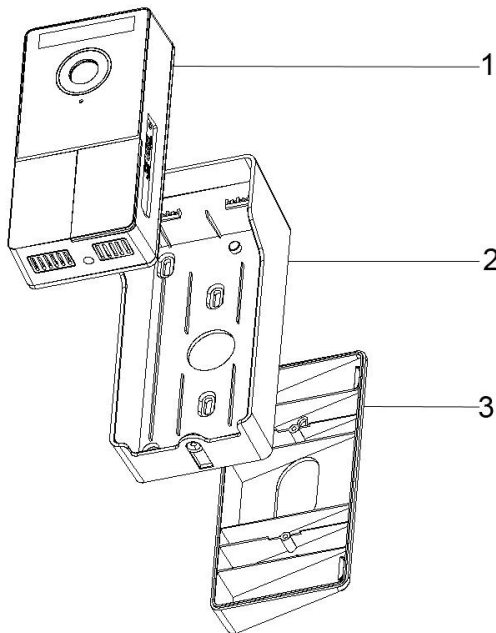


Figure 2-1 Appearance structure

Table 2-1 Appearance structure description

Serial number	Description
1	Doorbell
2	Rain cover
3	Bracket

Front panel

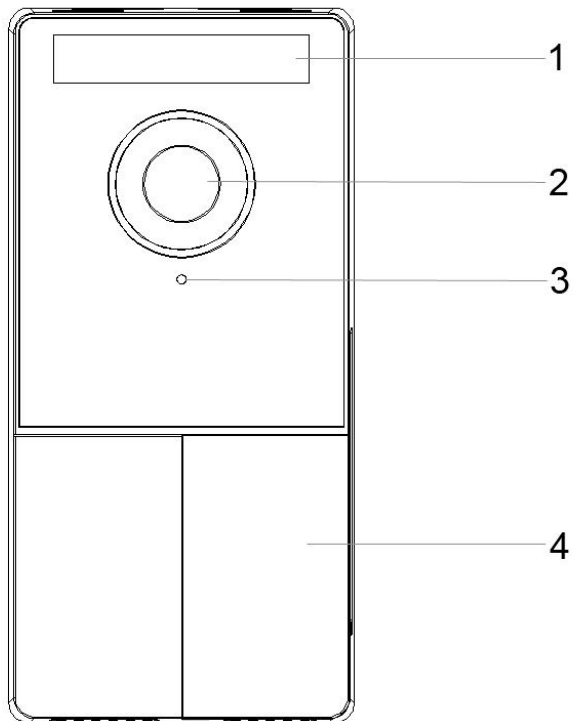


Figure 2-2 Front panel

Table 2-2 Front panel description

Serial number	Description
1	LED Light
2	HD Camera
3	Microphone
4	Call button

Back panel

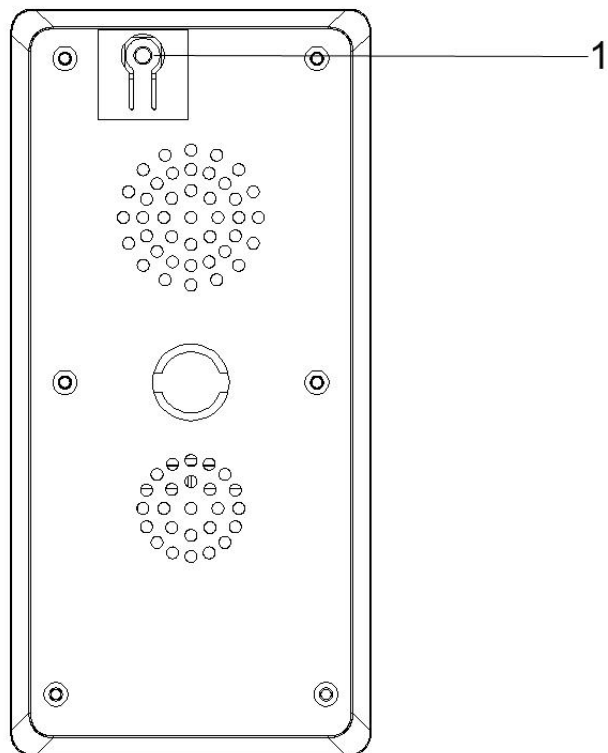


Figure 2-3 Back panel

Table 2-3 Back panel description

Serial number	Description
1	Preventing removal Alarm button

Side and bottom

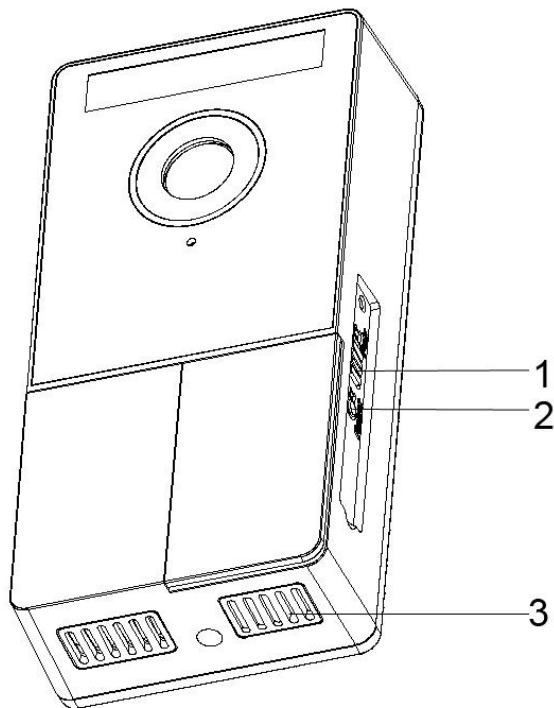


Figure 2-4 Side and bottom description

Table 2-4 Side and bottom description

Serial number	Description
1	Pair button
2	Reset button
3	Loudspeaker

3 Ail line And Interface Description



Figure 3-1 Ail line and interface

Table3-1Ail line and interface description

Serial number	Description
Network	RJ45 interface
Power	12V -Red
	GND -Black
ALARM IN	ALARM IN 1-Yellow
	GND -Grey
ALARM OUT	AOUT_NC -White
	AOUT_COM -Purple
	AOUT_NO -Brown

4 Installation Description

There are two installation methods for doorbell: plane installation and inclined installation

Installed on the plane

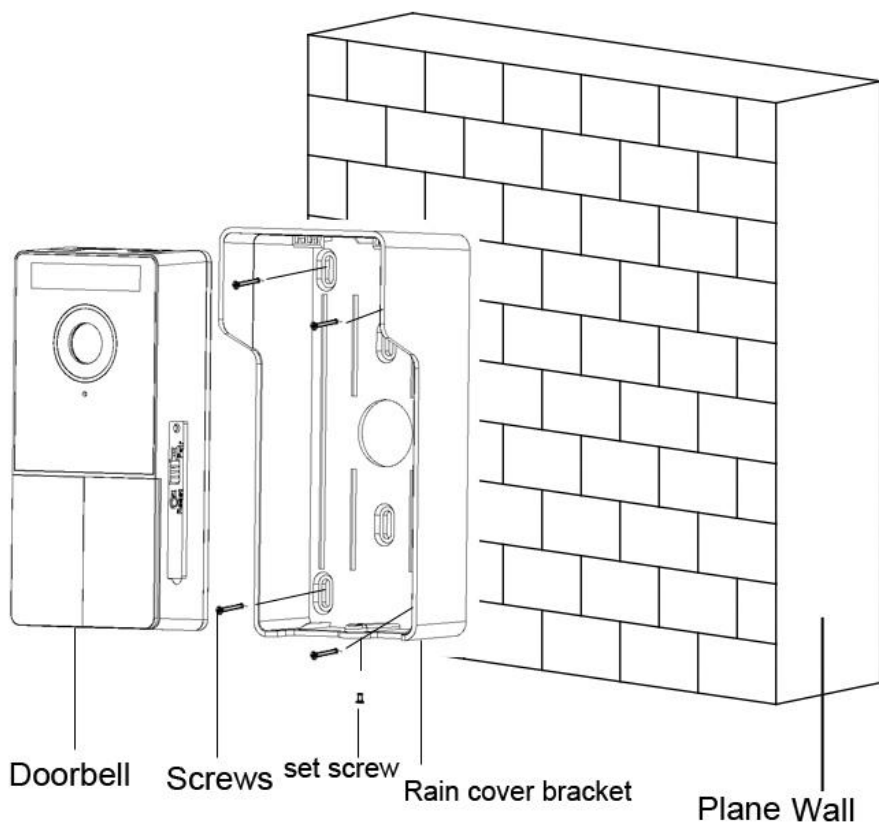


Figure 4-1 Installed on the plane diagram

Installed on the Inclined plane

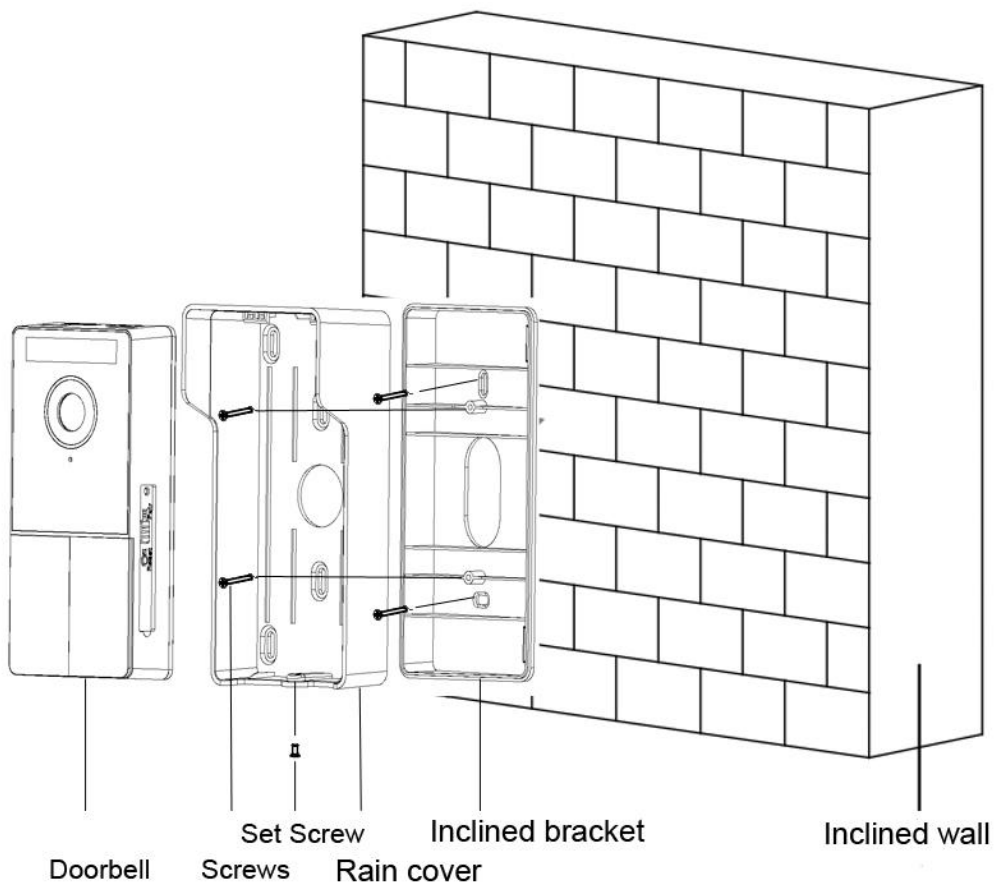


Figure 4-2 Installed on the Inclined plane diagram

5 Pair Description

If you delete the doorbell by mistake, you can open the indoor station to enter the interface of add IPC. Click the pair button, and then click and hold the pair button switch on the right to complete pair.

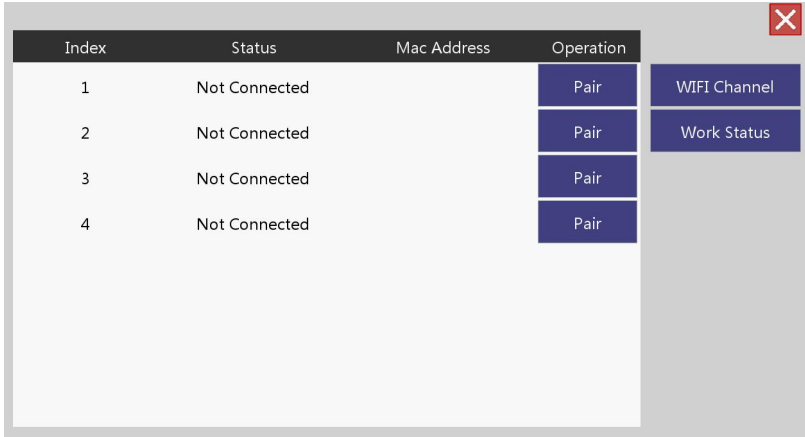


Figure 5-1 Add IPC

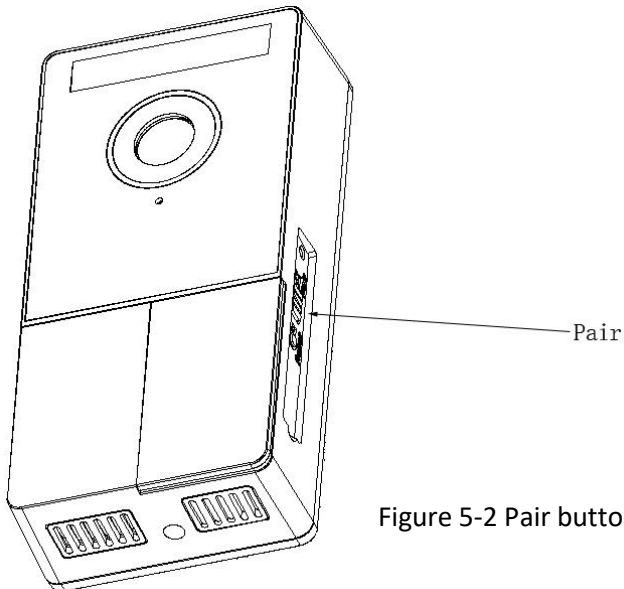


Figure 5-2 Pair button